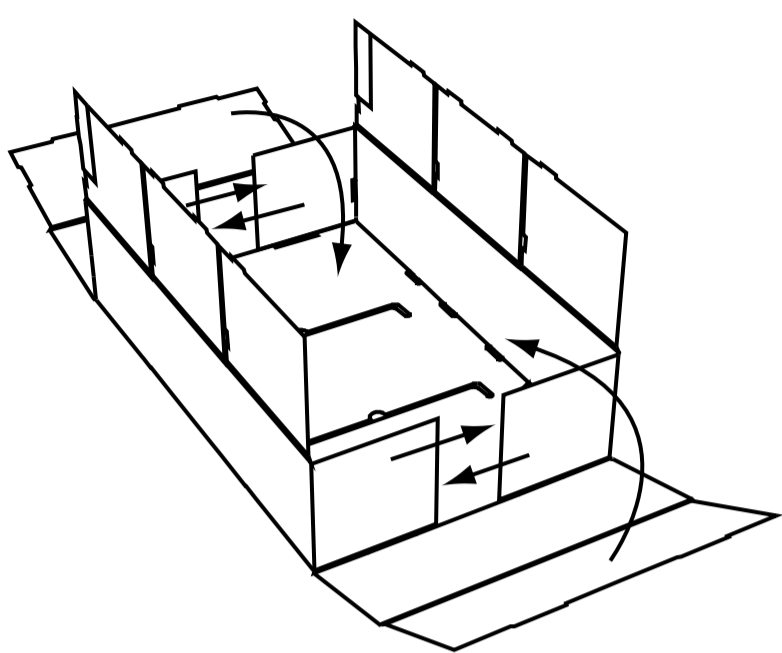
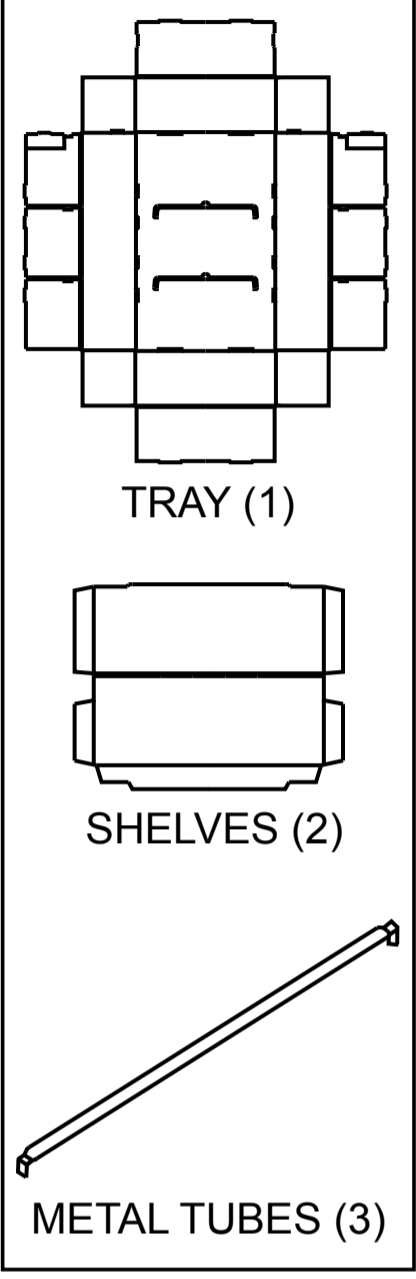
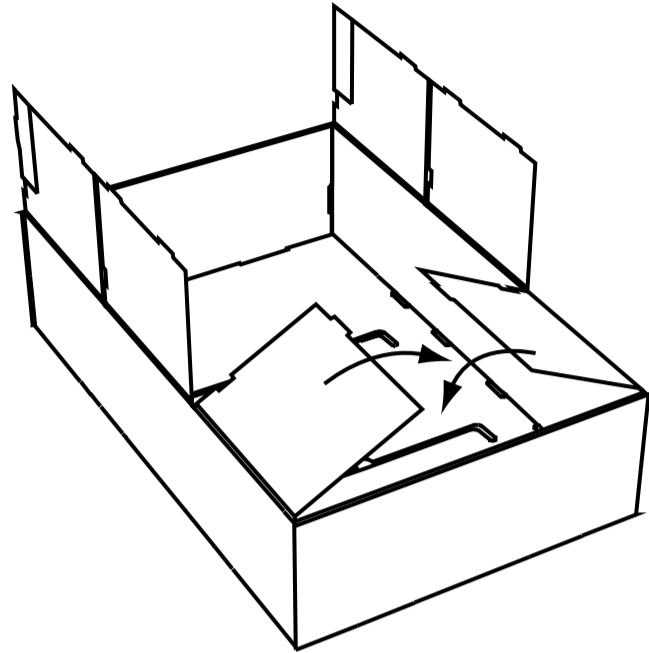


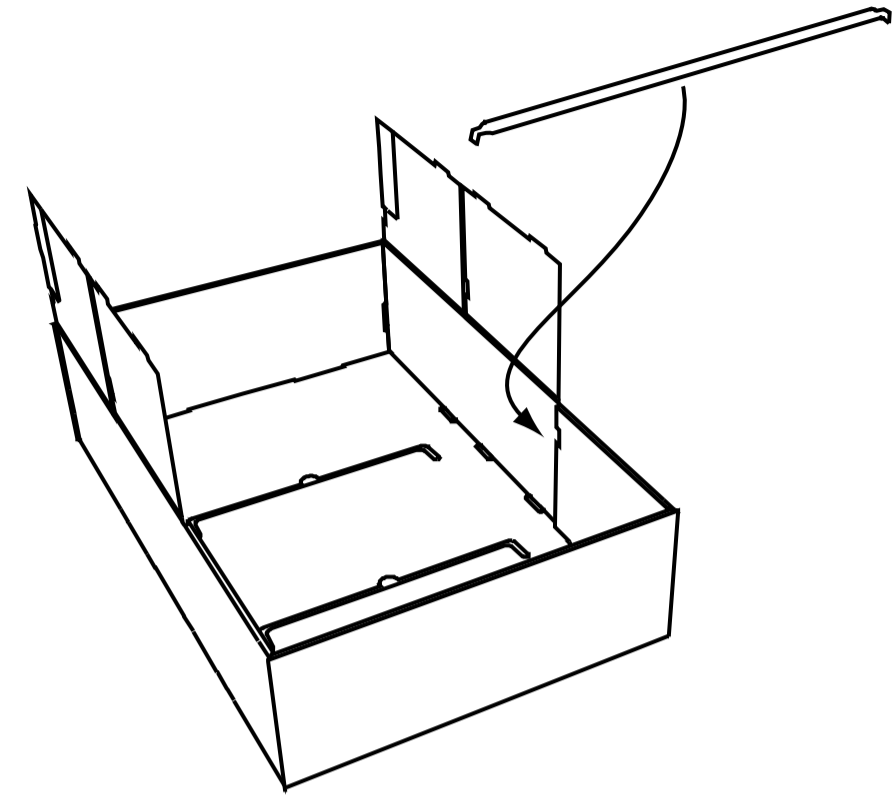
PARTS LIST



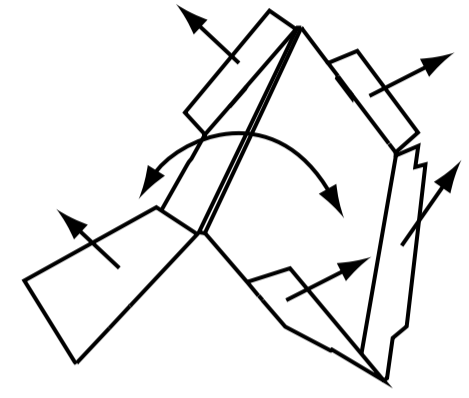
1. Fold up the side panels of the TRAY with the bottom flaps going inward. Then fold the bottom panel up over the bottom flaps. Assemble the top panel of the TRAY the same way.



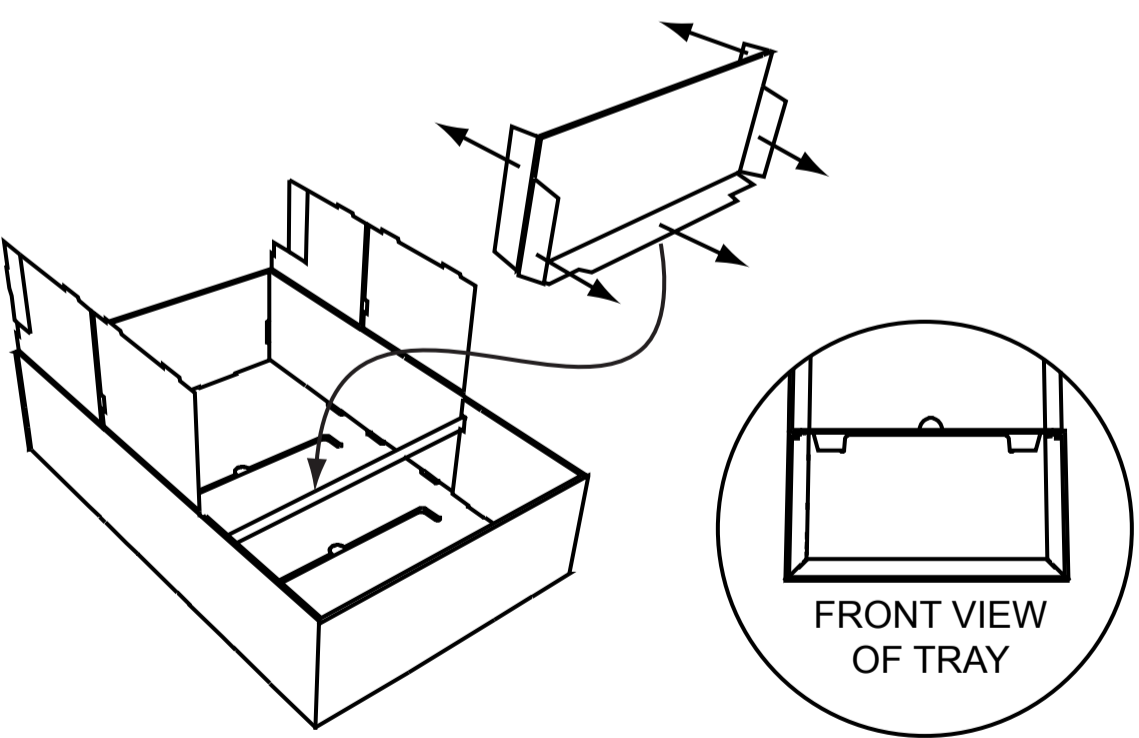
2. Fold down the bottom side flaps of the TRAY as shown above.



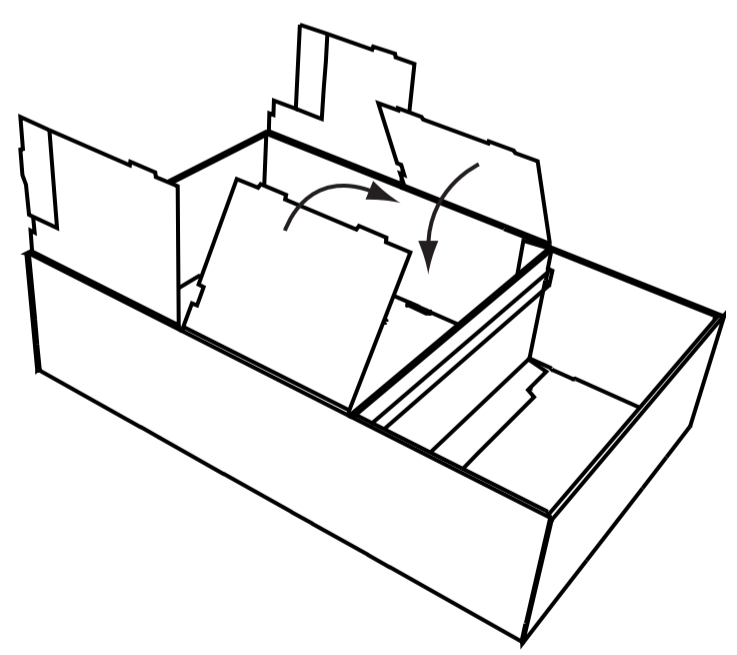
3. Insert a METAL TUBE into the slots on the inner side panels of the TRAY.



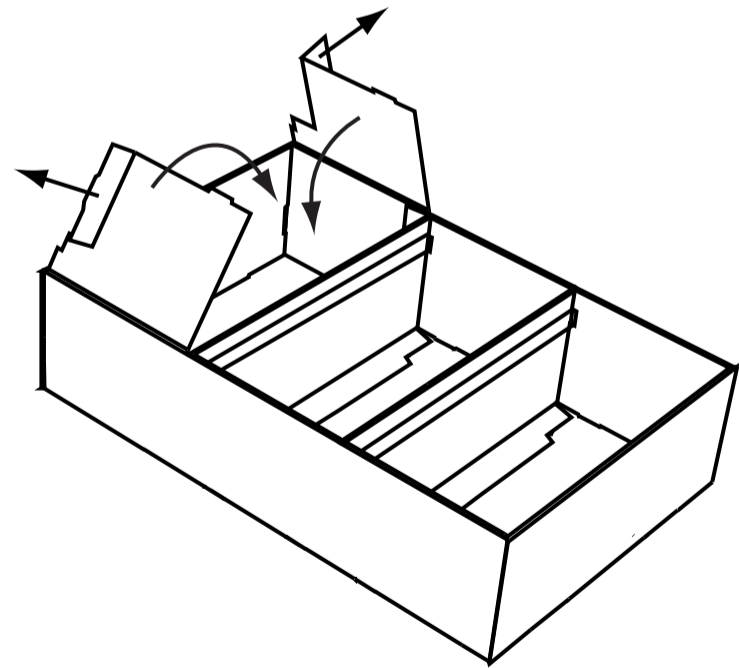
4. Fold inward the 2 panels of the SHELF. Then fold outward the 4 side flaps and the bottom flap.



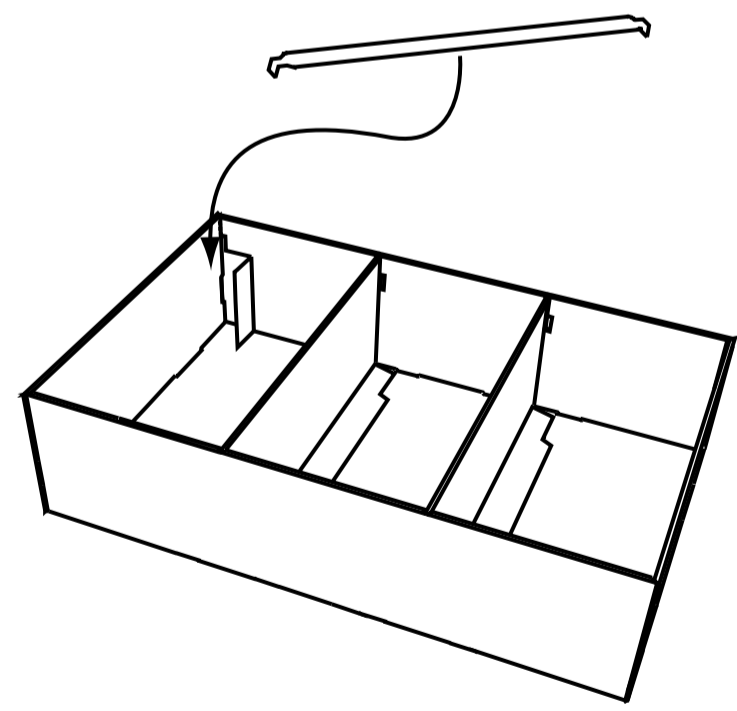
5. Insert a SHELF into the inner side panels of the TRAY as shown, while sliding bottom shelf flap into back slit and locking.



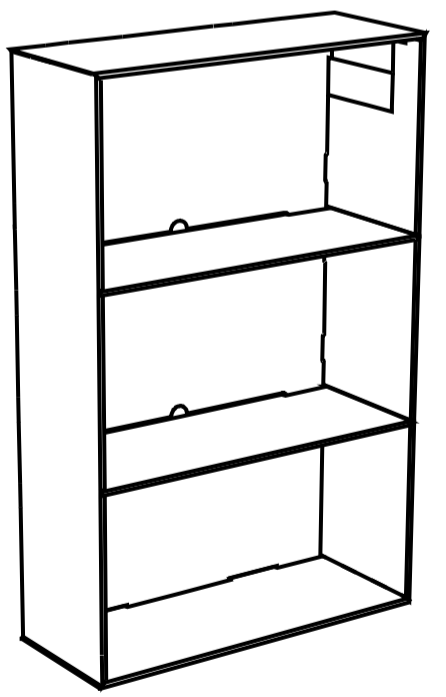
6. Fold down the middle side panels of the TRAY. Then insert another METAL TUBE and SHELF the same way as before.



7. Fold down the top side panels of the TRAY with the small flap going outward.



8. Insert a METAL TUBE into the slots on the inner side panels of the TRAY the same way as before.



**COMPLETED
UPRIGHT BOOKCASE**